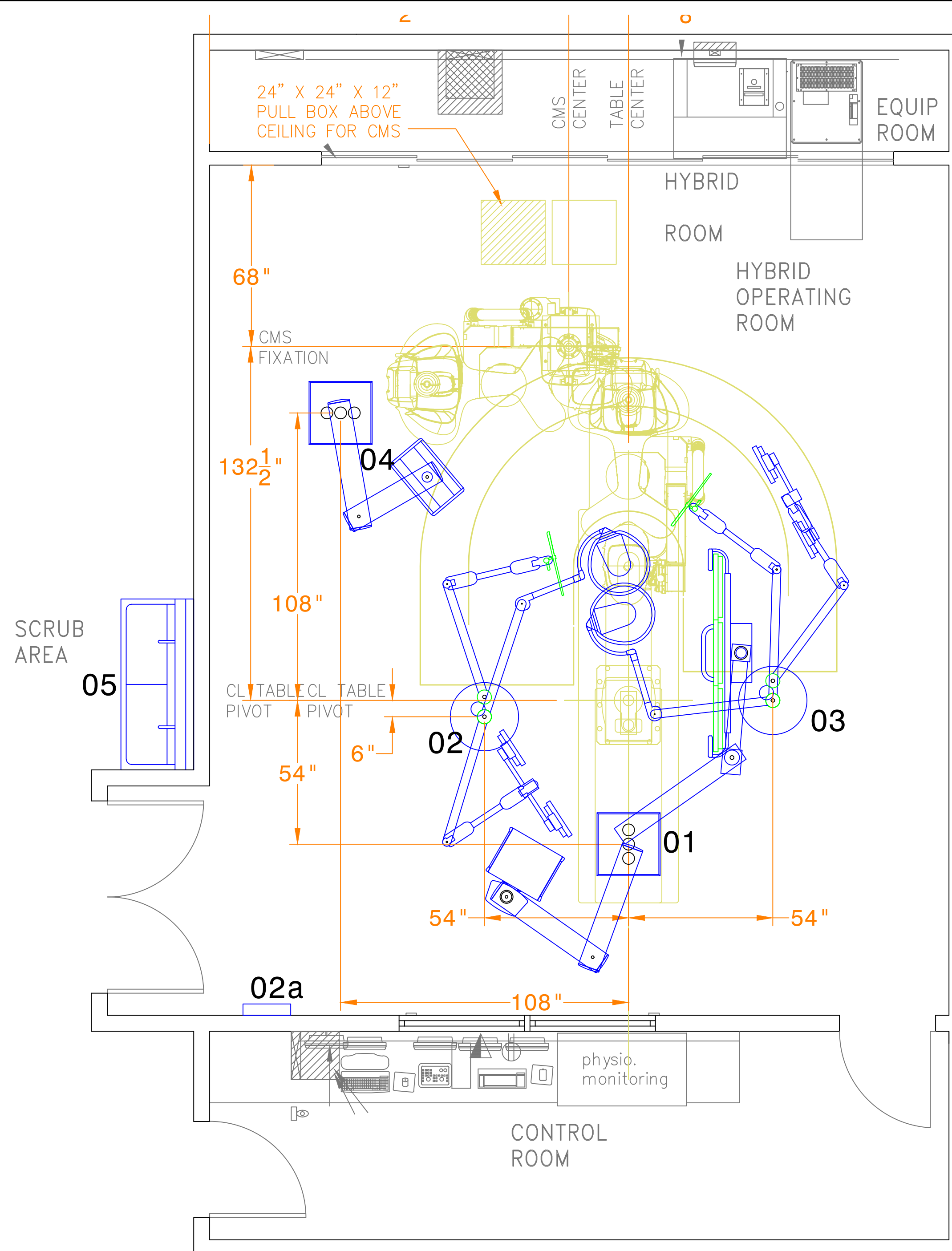


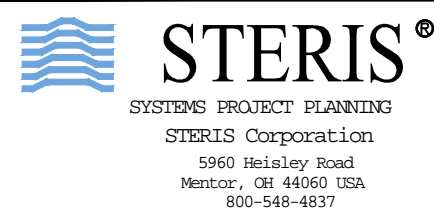
REVISION SCHEDULE		
REVISION #	DESCRIPTION	PLANNER/ DATE
1	revise per discussions with GE	McB 2012-10-17



Equipment List

Tag	QTY	DESCRIPTION
01	1	Harmony Tandem EMS DF80 (Medium) with Supply Column - 40" (1000) and Insight85 90" with Harmony Insight 85 - 3 26" Monitors
02	1	Harmony Surgical Light with LED 49 in Monitor Arm and 44 in Light Arm and Hub Spacer LA Auxilliary Arm
02a	1	Harmony LED Standard Mount Control Center
03	1	Harmony Surgical Light with LED 49 in Monitor Arm and 44 in Light Arm and Hub Spacer LA Auxilliary Arm LA 44 in Light Arm and Hub Spacer
04	1	Harmony EMS DF70 (Medium) with Supply Head
05	2	Amsco Flexmatic Scrub Station - 2 Stations

STERIS drawings do not supersede the drawings from the architect of record.

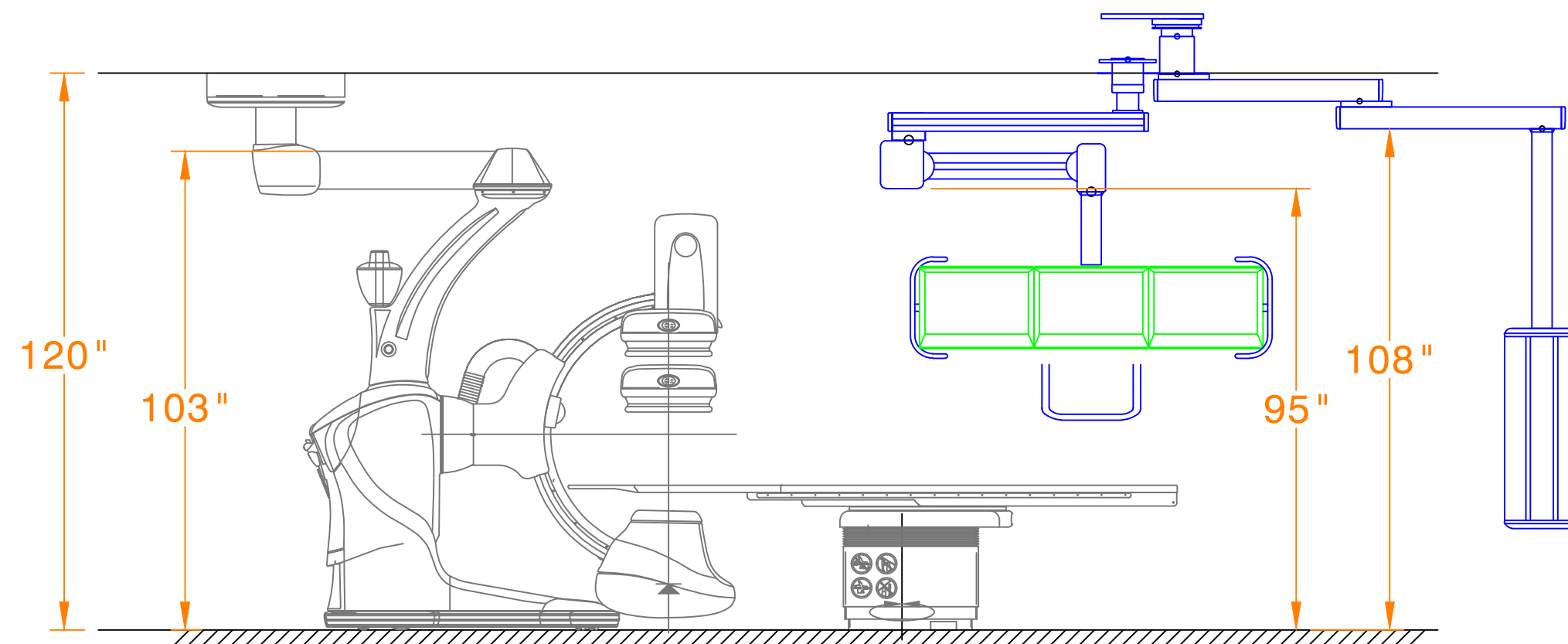


GE IGS730

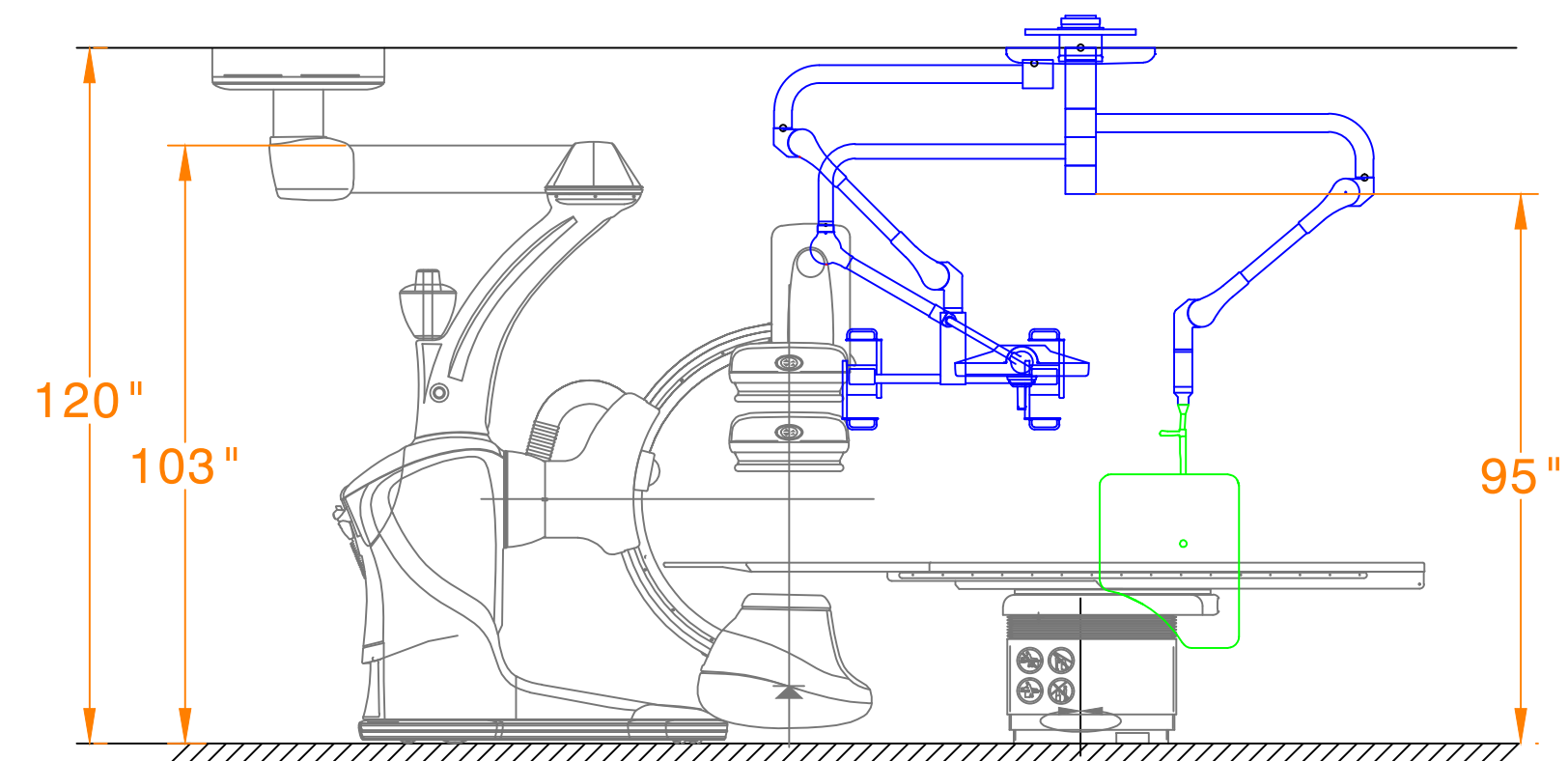
Hybrid Operating Room
Imaging Table
STERIS Ceiling Equipment Layout

Dr	McB	H- 9985
Ck		C- 1r1
Date	2012 Oct 17	
Scale	3/8" = 1'-0"	Page 1

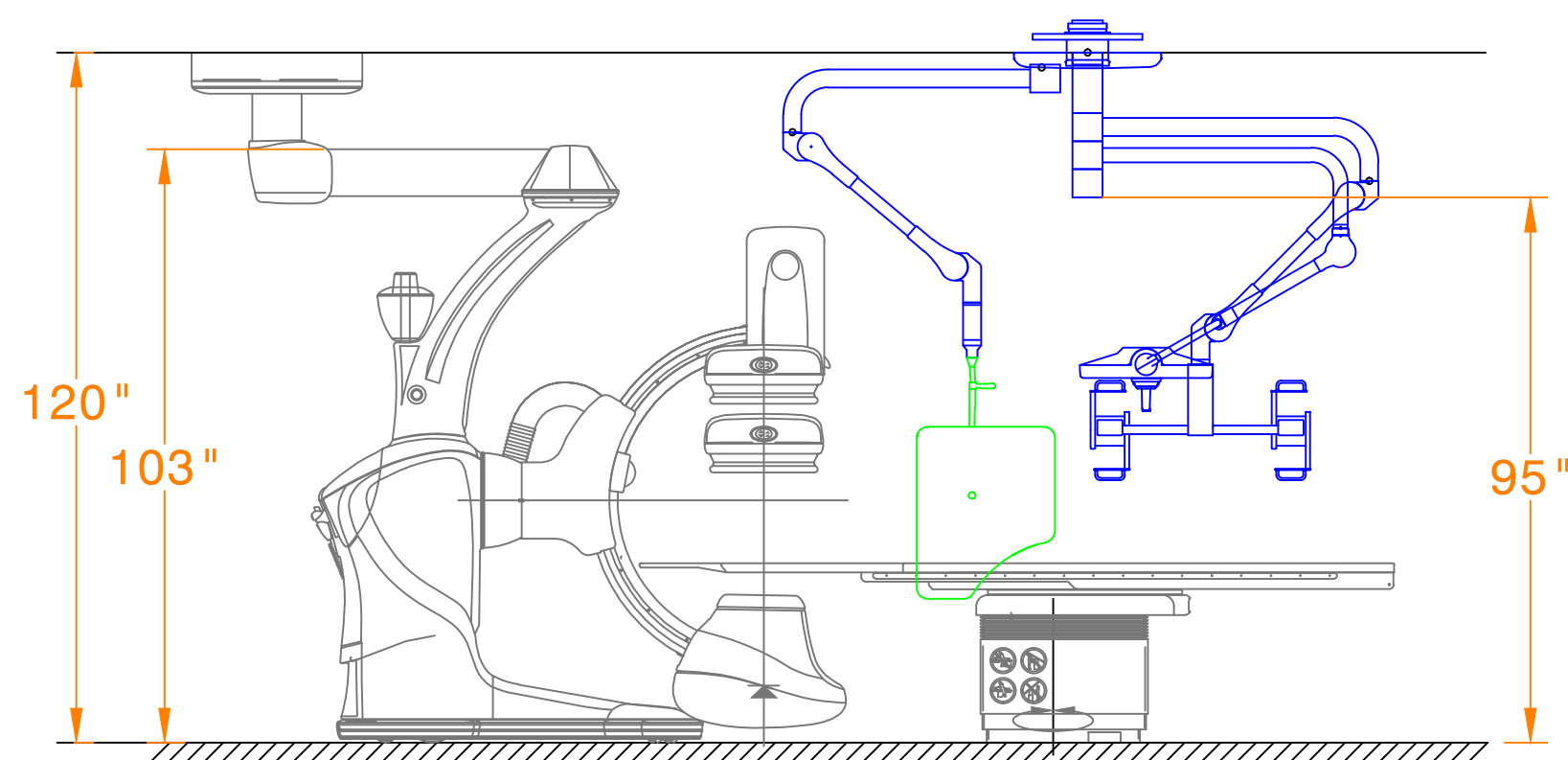
REVISION SCHEDULE		
REVISION #	DESCRIPTION	PLANNER/ DATE
1	revise per discussions with GE	McB 2012-10-17



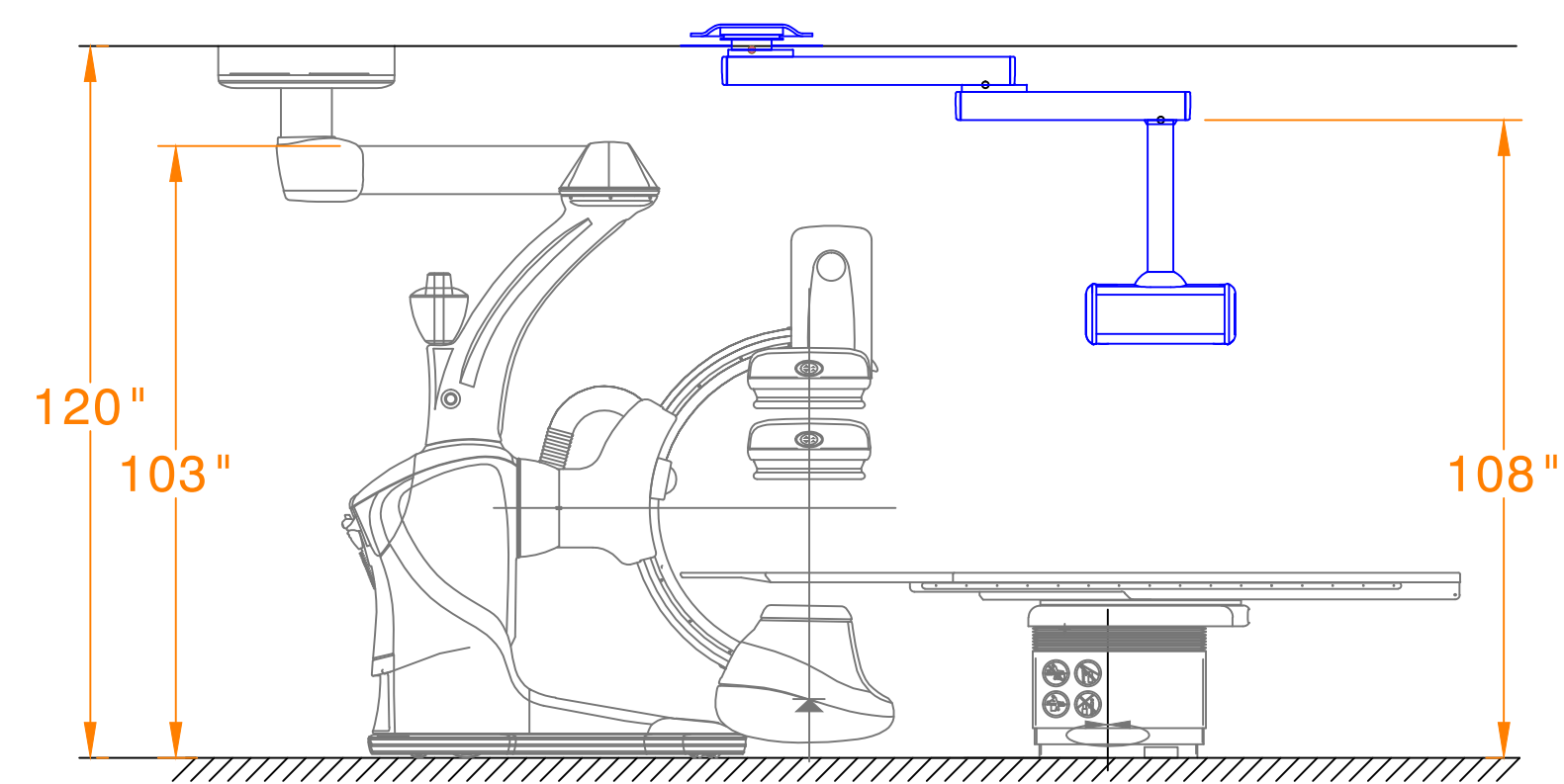
MOUNT 01 ELEVATION



MOUNT 03 ELEVATION



MOUNT 02 ELEVATION



MOUNT 04 ELEVATION

STERIS drawings do not supersede the drawings from the architect of record.